

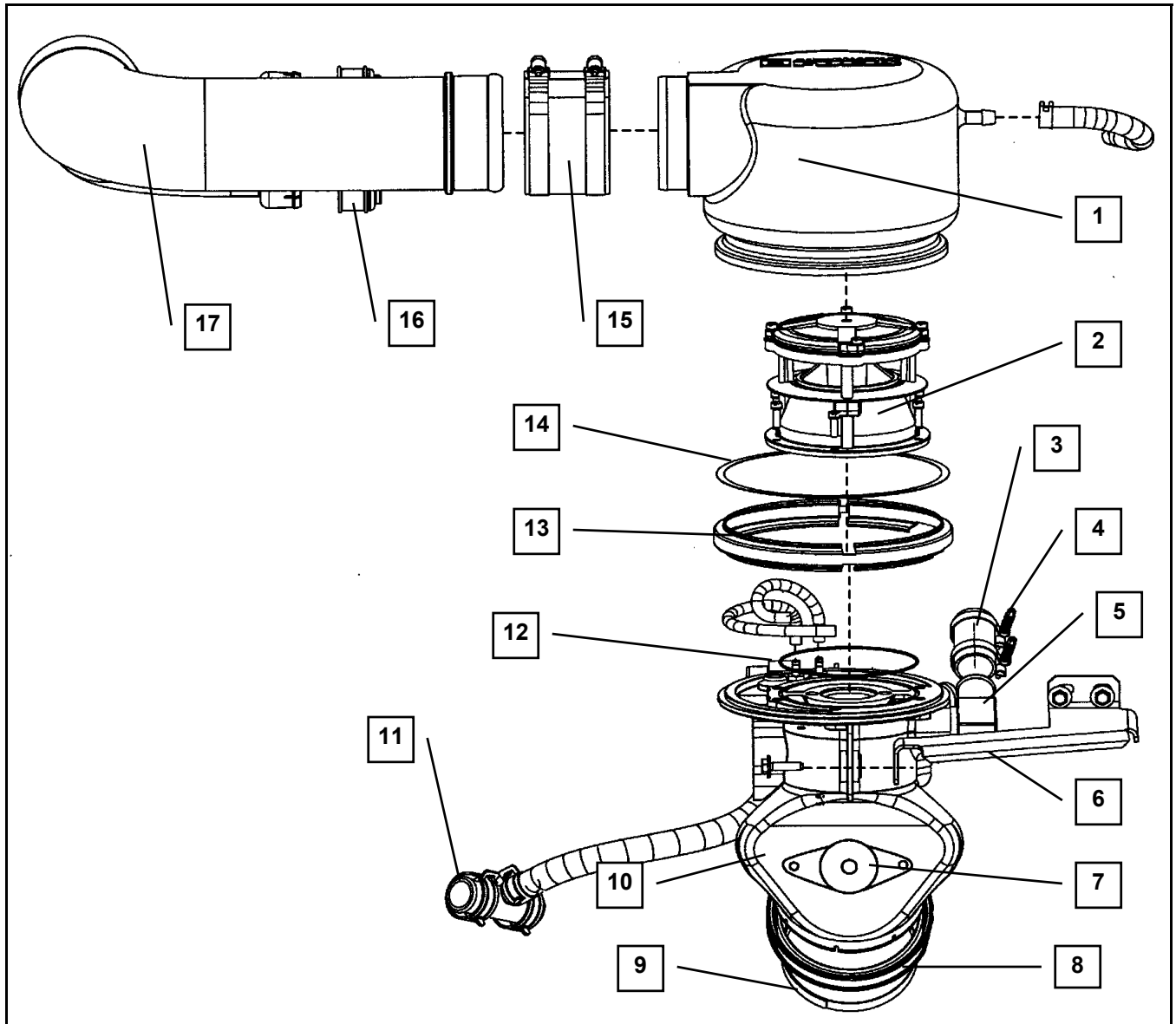
TABLE OF CONTENTS

	Page No.
PARTS LIST: 2001-2002 GM MD TRUCK	2
Fuel Mixer Module.....	2
Control Solenoids	4
Low Pressure Lock-off (LPL) Module (Underbody).....	6
Low Pressure Regulator (LPR) Module	8
Engine Control Unit (ECU) Module.....	10
Miscellaneous.....	12
PARTS LIST: 1999-2000 GM MD TRUCK	14
Fuel Mixer Module.....	14
Control Solenoids	16
Low Pressure Lock-off (LPL) Module (Underbody).....	18
Low Pressure Regulator (LPR) Module	20
Fuel System Mounting Brackets	22
Engine Control Unit (ECU) Module.....	24
Miscellaneous.....	26
PARTS LIST: 1994-1998 GM MD TRUCK	27
LPR REBUILD	30

**PARTS LIST
2001 and 2002 GM Medium Duty Truck
with 8.1 Liter Engine and Quantum LPG Fuel System**

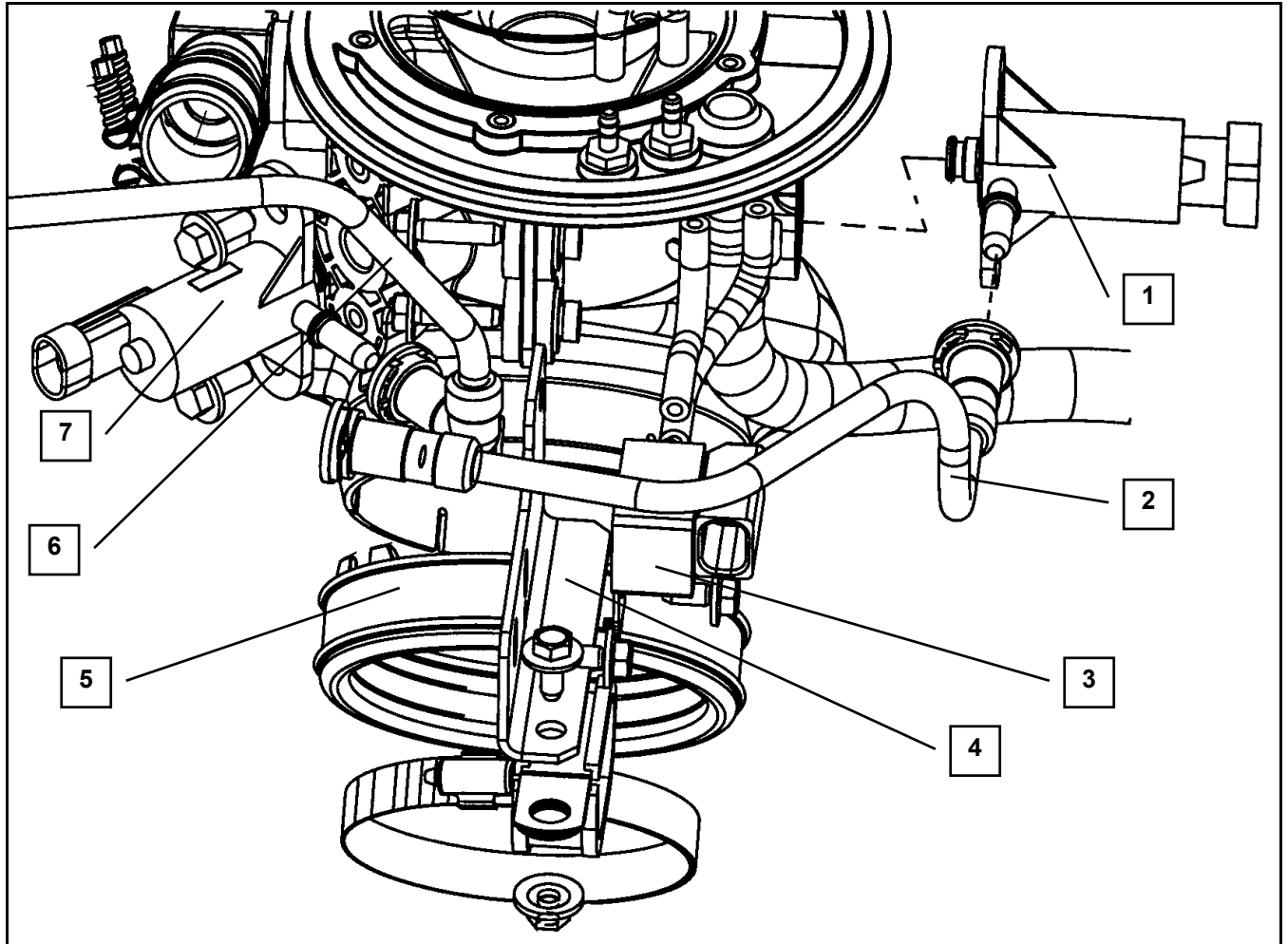
Fuel Mixer Module (MY01 and MY02 w/ 8.1L V8)

QUANTUM Part No.	Description	Callout No.
103604	Fuel Mixer Cover w/ Pressure Relief Device (PRD)	1
100717-001	Fuel Mixer (Carburetor)	2
H1-20644-003	Hose, Fuel Vapor, 1.0" ID X 2.18" L	3
C2-20501-002	Clamp, Stepless Metric	4
100701 / 100704-003	Fitting, Elbow, 90° with Full Load Orifice (Not available separately; MUST be ordered together)	5
100962	Bracket, Elbow Support, Front	6
108404	Pressure Relief Device (PRD) - Service Assembly (Includes: housing, spring and piston. Or, order individual parts as needed.)	7
103232	PRD Housing	7
103229	PRD Spring	7
106818	PRD Piston with Foam Bumper	7
100839	Seal, Elbow to Throttle Body	8
C2-21722-018	Clamp, TB Seal	9
103166	Elbow w/ Pressure Relief Device (PRD) (Includes Items 5, 7, 8, 9, 12 and 14)	10
100509	Fitting, Tee, 1" X 1" X 1/2"	11
100435	O-Ring	12
100732	V-Clamp	13
100260	Gasket	14
102251	Clamp, Air Duct to Fuel Mixer Cover	15
101195	Seal, MAF Sensor to Air Duct	16
100327	Air Duct	17



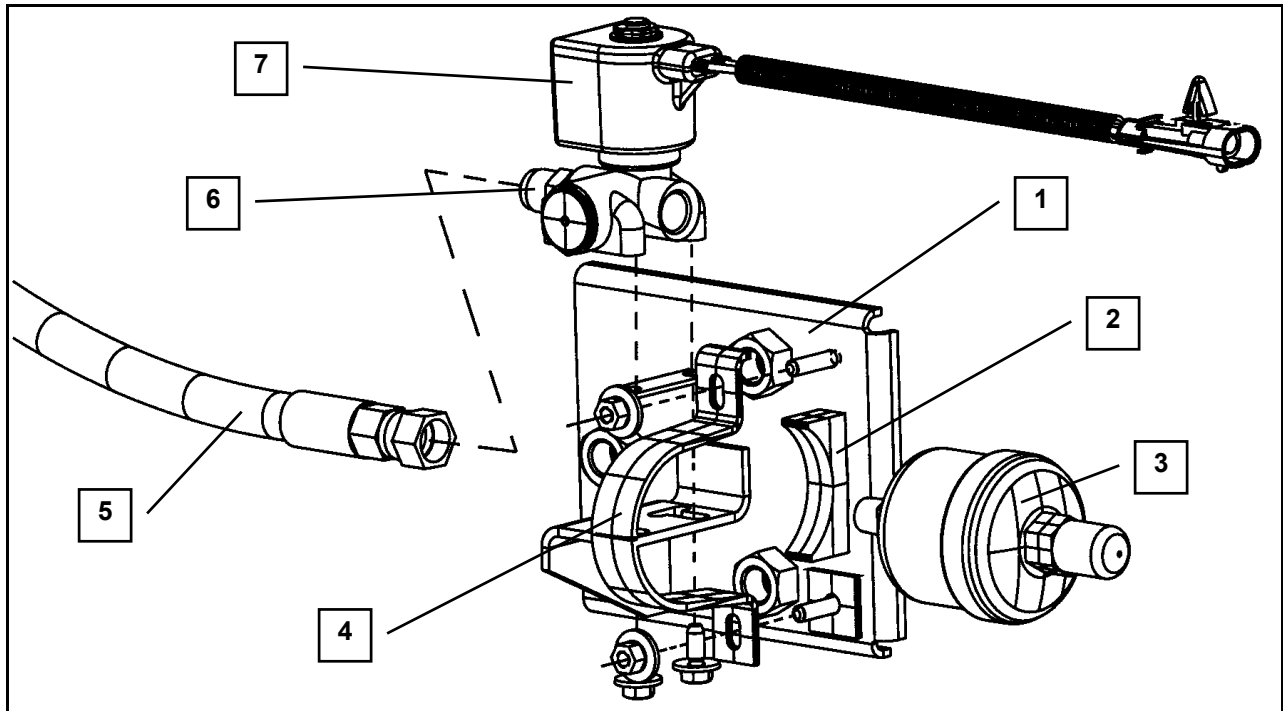
Control Solenoids (MY01 and MY02 w/ 8.1L V8)

QUANTUM Part No.	Description	Callout No.
100562	Idle Control Solenoid (ICS)	1
100504	ICS Fuel Line	2
V3-21520	Electronic Throttle Control (ETC) Solenoid	3
100516	Bracket, Elbow Support, Rear	4
100839	Seal, Elbow to Throttle Body	5
100503	FCS Vacuum Line	6
100562	Fuel Control Solenoid (FCS)	7
103108	Bracket, Elbow to Throttle Body	-



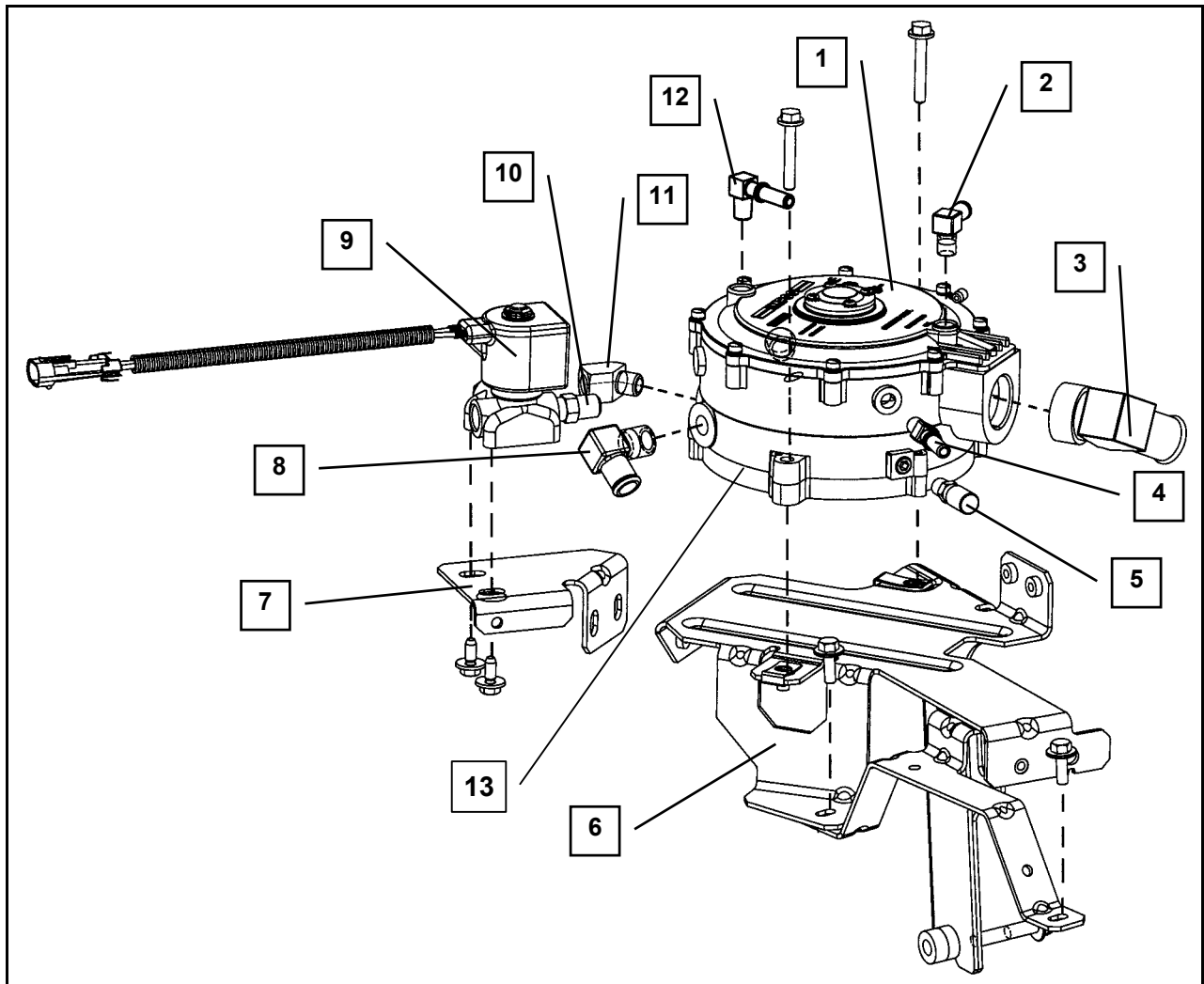
**Low Pressure Lock-off (LPL) Module (Underbody)
(MY01 and MY02 w/ 8.1L V8)**

QUANTUM Part No.	Description	Callout No.
B4-21086	Bracket, LPL / Fuel Filter Mounting	1
105485	Adapter, Fuel Filter Mounting	2
F1-20804-001	Fuel Filter, Parker LPG, 3/8" SAE to 1/4" NPT	3
105486	Clamp, Fuel Filter	4
100768	Fuel Hose	5
100690	Fitting, Male SAE Flare X NPT	6
101821	Low Pressure Lock-off (LPL)	7
106713	Retrofit Kit, Parker Filter Includes Items 2 and 4 and two M6 flange nuts N1-20755-001)	-



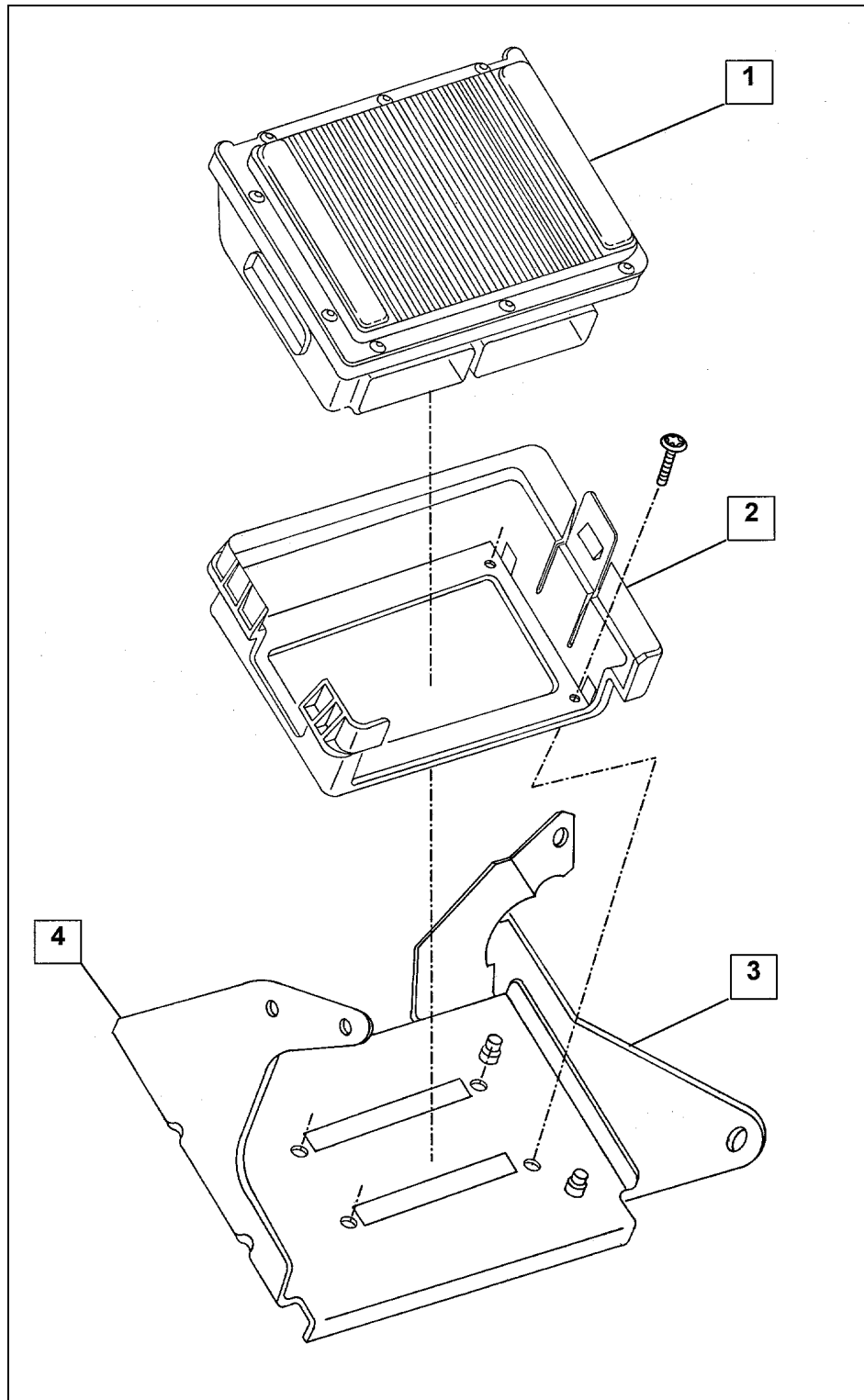
**Low Pressure Regulator (LPR) Module
(MY01 and MY02 w/ 8.1L V8)**

QUANTUM Part No.	Description	Callout No.
100708	Low Pressure Regulator (LPR) w/o fittings (2001 and 2002)	1
100325	Low Pressure Regulator (LPR) w/ fittings (2001 and 2002)	1
100761 / 100801-001	Fitting, 90°, 1/8" X 3/8" Hose with Regulator Control Orifice (Not available separately; MUST be ordered together)	2
100361	Elbow, 60°, 1.0" NPT X 1.0" Hose	3
100432	Fitting, Straight, 1/8"-27 NPT X Flex Fab	4
V3-21668	Valve, Coolant Bleed	5
100514	Bracket, LPR Mounting	6
100226	Bracket, LPL Mounting	7
100759	Elbow, 90°, 3/8" NPT X 5/8" Hose (Inlet or Outlet)	8
101821	Low Pressure Lock-off (LPL)	9
F4-21675	Fitting, Straight, 1/4" NPT X 1/4" NPT	10
100691	Elbow, 45°, 1/4" NPT	11
F4-21718	Fitting, 90°, 1/8"-27 NPT X Flex Fab	12
104404	Gasket, LPR Coolant, Severe Duty	13
RK-E-3	Rebuild Kit, Model E Converter/Regulator	-



Engine Control Unit (ECU) Module (MY01 and MY02 w/ 8.1L V8)

QUANTUM Part No.	Description	Callout No.
100665	Engine Control Unit (ECU) (2001 and 2002) NOTE: Parts restriction in place for warranty replacement. Contact QUANTUM Technical Assistance at 1-800-816-8691.	1
B4-20308	Bracket, ECU Adapter	2
B4-21445	Bracket, Front of Dash to Tray (Cab Chassis Only)	3
B4-21446	Bracket, ECU Support Tray (Cab Chassis Only)	4



Miscellaneous (MY01 and MY02 w/ 8.1L V8)

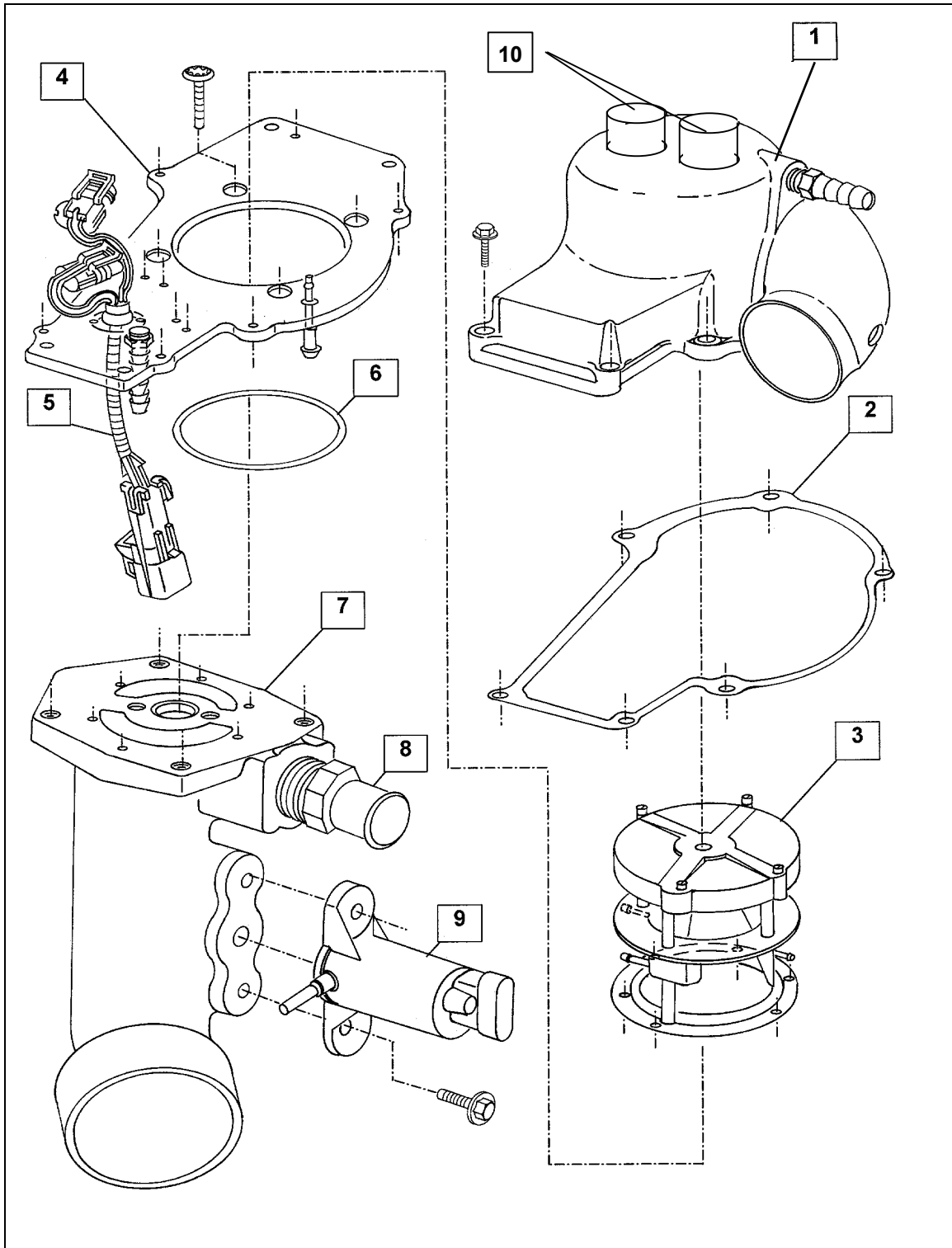
QUANTUM Part No.	Description	Callout No.
100918	Engine Wire Harness, LPG	-
100100	Bracket, ECU (Bus Chassis Only)	-
B4-21529	Bracket, Fuel Line Support	-
100760	Fitting, Heater Hose "Y"	-
101108	Owner's Manual Supplement (2001)	-
103004	Owner's Manual Supplement (2002)	-
101109	Warranty and Owner's Assistance Information (2001)	-
103002	Warranty and Owner's Assistance Information (2002)	-
L3-22064	Label, TAC Hotline	-
100303	Service Manual Supplement (2001 and 2002)	-
L3-21029	Label, LPG Diamond (Black)	-
101507	Label, Vehicle Evaporative Emissions (2001)	-
102999	Label, Vehicle Evaporative Emissions (2002)	-

This Page Intentionally Left Blank

**PARTS LIST
1999 and 2000 GM Medium Duty Truck
with 7.4 Liter Engine and Quantum LPG Fuel System**

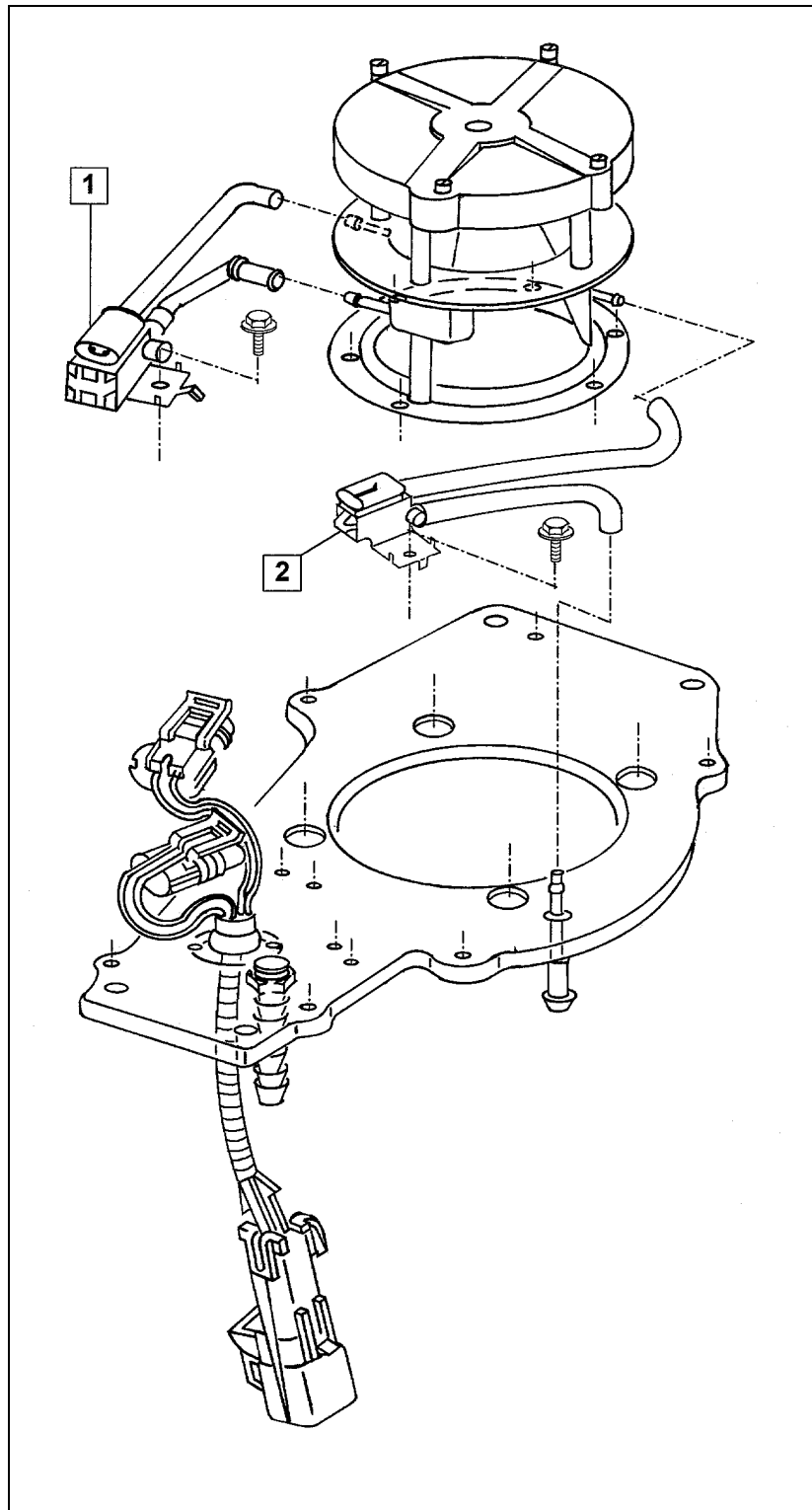
Fuel Mixer Module (MY99 and MY00 w/ 7.4L V8)

QUANTUM Part No.	Description	Callout No.
105406	Fuel Mixer Cover with Dual PRDs	1
G1-21390	Gasket, Bonnet to Baseplate	2
AM-21946	Fuel Mixer, Nominal Flow (Carburetor) (AM-21241-001)	3
B4-21382	Baseplate, Fuel Mixer	4
AW-21536	Wire Harness, AF Engine Harness to Solenoids	5
S3-138	Seal, O-ring, Mixer to Baseplate	6
A2-21389	Elbow, Fuel Mixer Outlet	7
F4-21361	Fitting, Fuel Jet, 1" NPT x 1" Hose (1999)	8
100128	Fitting, Fuel Jet, 1" NPT x 1" Hose (2000)	8
V2-21679	Idle Control Solenoid (ICS)	9
108404	Pressure Relief Device (PRD) - Service Assembly (Includes: housing, spring and piston. Or, order individual parts as needed.)	10
103232	PRD Housing	10
103229	PRD Spring	10
106818	PRD Piston with Foam Bumper	10
S3-133-2	Seal, O-ring, Gas Jet	-
AH1-21706	Hose, Nylon Fuel (LPR to ICS)	-
SMD-21602	Sub-module - Baseplate / Elbow / Mixer / ICS / Solenoids (1999)	Includes 3 thru 9
100137	Sub-module - Baseplate / Elbow / Mixer / ICS / Solenoids (2000)	Includes 3 thru 9
SMD-21603	Sub-module - Elbow / Mixer / ICS (1999)	Includes 3 and 7 thru 9
100138	Sub-module - Elbow / Mixer / ICS (2000)	Includes 3 and 7 thru 9



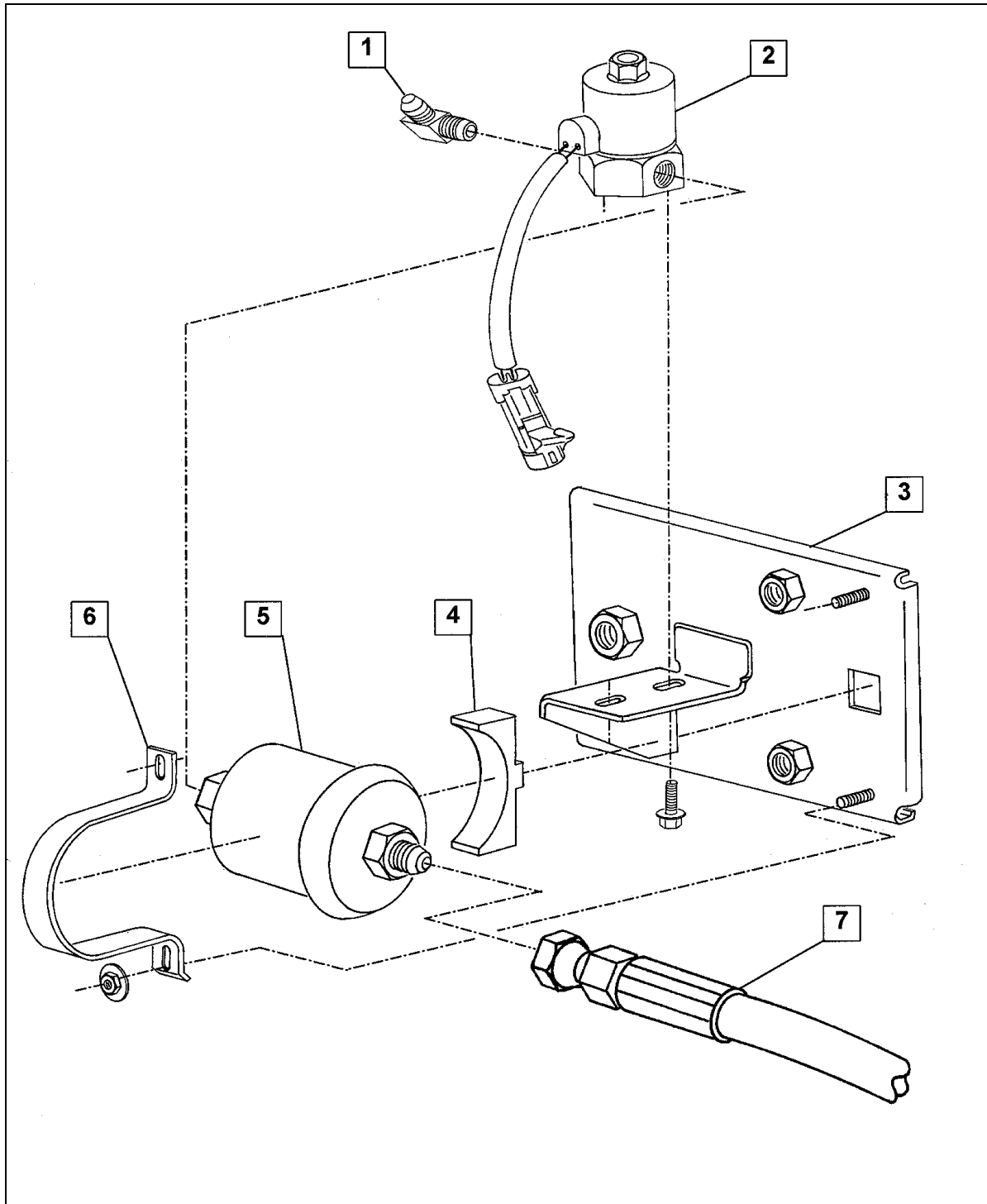
Control Solenoids (MY99 and MY00 w/ 7.4L V8)

QUANTUM Part No.	Description	Callout No.
V2-21678	Electronic Throttle Control (ETC) Solenoid	1
100291	Fuel Control Solenoid (FCS)	2



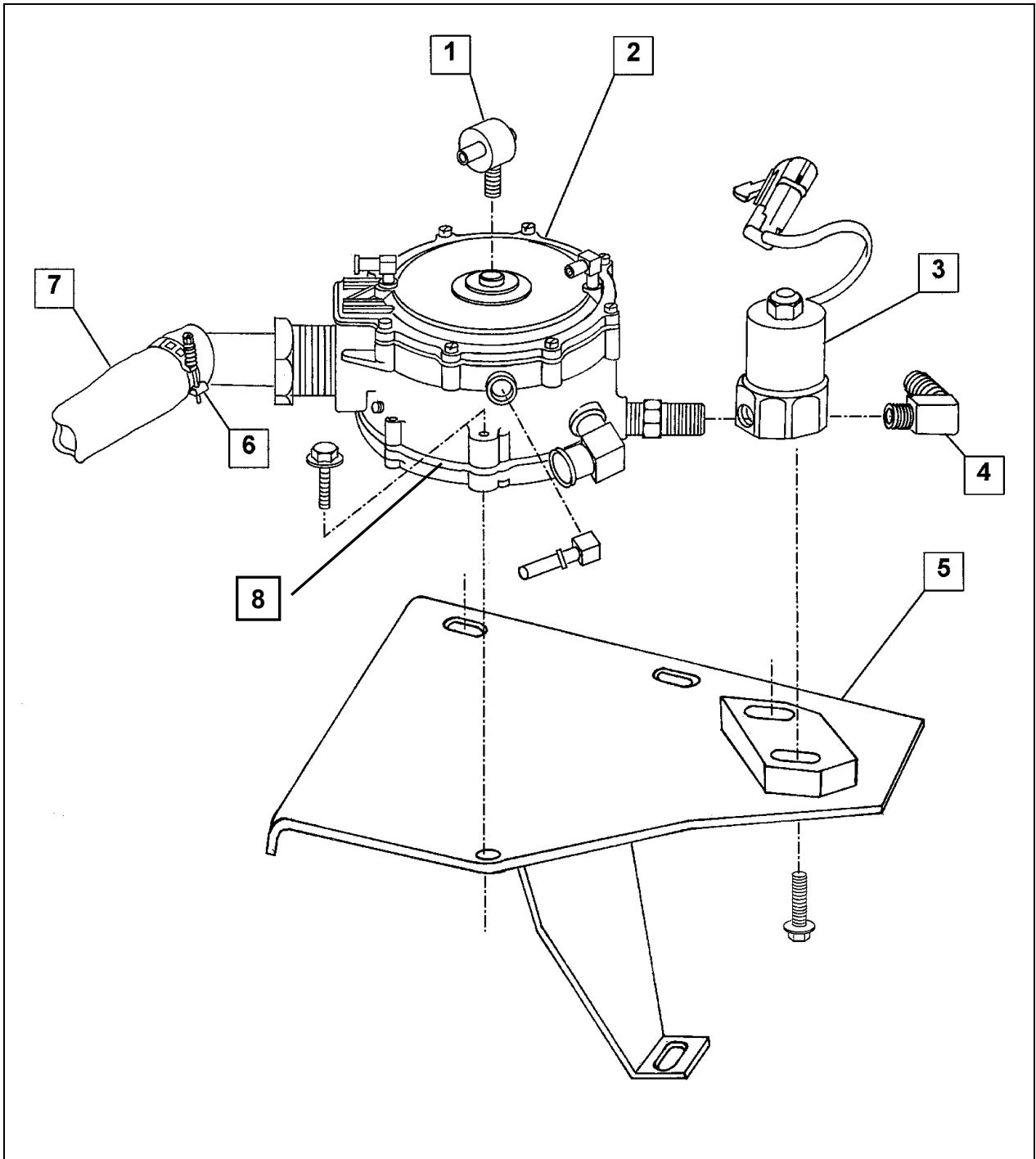
**Low Pressure Lock-off (LPL) Module (Underbody)
(MY99 and MY00 w/ 7.4L V8)**

QUANTUM Part No.	Description	Callout No.
F4-17	Fitting, 90° Elbow, 3/8" NPT X 5/8" hose	1
AV2-20134-008	Lock-off, Low Pressure (Underbody)	2
B4-21086	Bracket, Low Pressure Lock-off (Underbody)	3
105485	Adapter, Fuel Filter Mounting	4
F1-20804-001	Fuel Filter, Parker LPG, 3/8" SAE to 1/4" NPT	5
105486	Clamp, Fuel Filter	6
AH1-20838-003	Hose, Fuel Filter to Underhood Lock-off	7



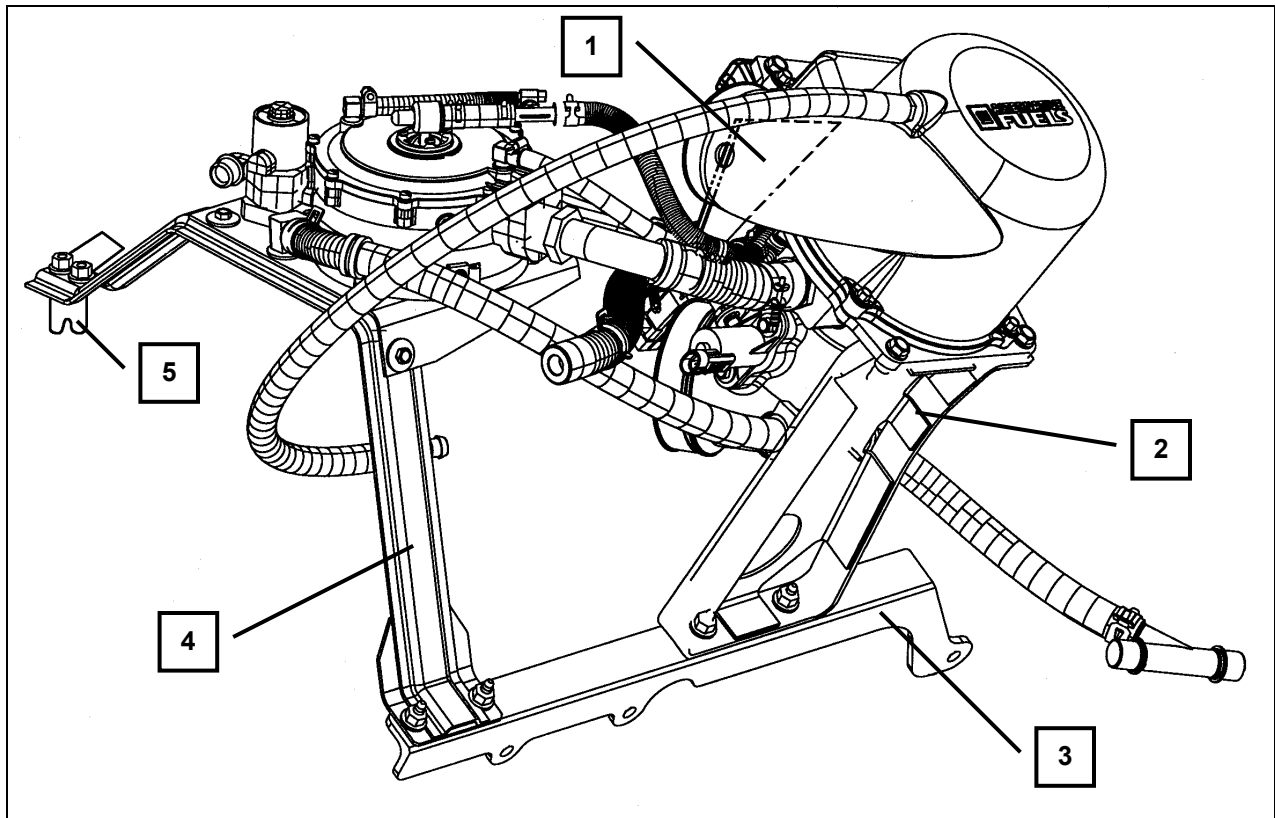
**Low Pressure Regulator (LPR) Module
(MY99 and MY00 w/ 7.4L V8)**

QUANTUM Part No.	Description	Callout No.
RCV-15791-10	Regulator Control Valve (RCV)	1
100155	Low Pressure Regulator (LPR) w/ Fittings (Nominal Flow) (1999)	2
EB-21590	Low Pressure Regulator (LPR) w/o Fittings (Nominal Flow) (1999)	2
100214	Low Pressure Regulator (LPR) w/ Fittings (Nominal Flow) (2000)	2
100127	Low Pressure Regulator (LPR) w/o Fittings (Nominal Flow) (2000)	2
AV2-20134-006	Lock-off, Low Pressure (Underhood)	3
F4-17	Fitting, 90° Elbow, 3/8" NPT X 5/8" hose	4
AB4-21567	Bracket, LPR Mounting	5
C2-20501-002	Clamp, Stepless Metric	6
H1-20644-002	Hose, Low Pressure Gas, 1" X 120mm	7
104404	Gasket, LPR Coolant, Severe Duty	8
F4-21644	Fitting, Low Pressure Hose, 1" NPT X 1" hose	-
F4-21718	Fitting, Elbow, 1/8" NPT to Flex Tech	-
RK-E-3	Rebuild Kit, Model E Converter/Regulator	-
V3-21668	Valve, Coolant Bleed	-



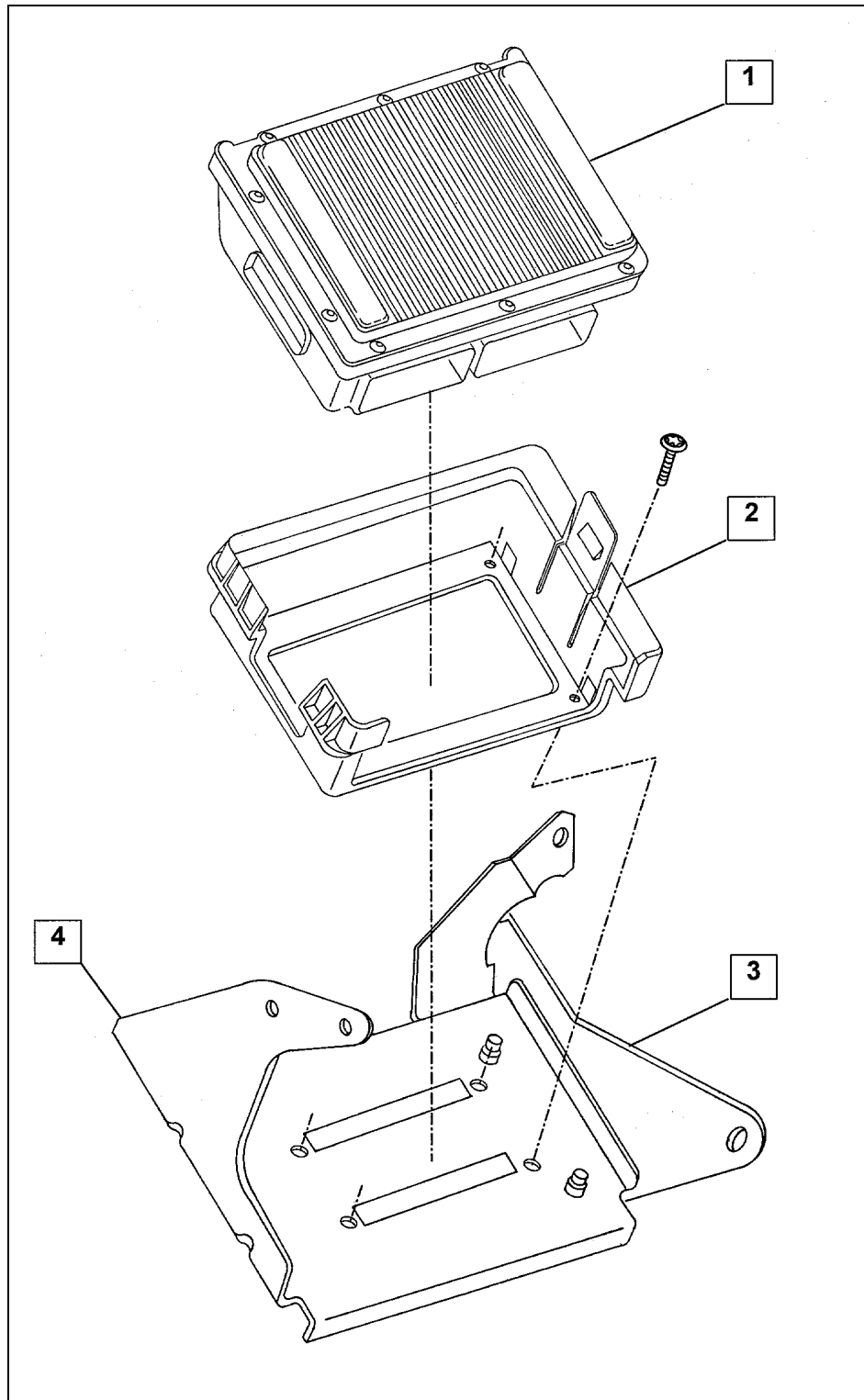
Fuel System Mounting Brackets (MY99 and MY00 w/ 7.4L V8)

QUANTUM Part No.	Description	Callout No.
AB4-21384	Bracket, Inboard Baseplate Support	1
AB4-21385	Bracket, System Support	3
AB4-21386	Bracket, Outboard Baseplate Support	2
AB4-21568	Bracket, LPR Support	4
B4-21569	Bracket, LPR Inboard	5



Engine Control Unit (ECU) Module (MY99 and MY00 w/ 7.4L V8)

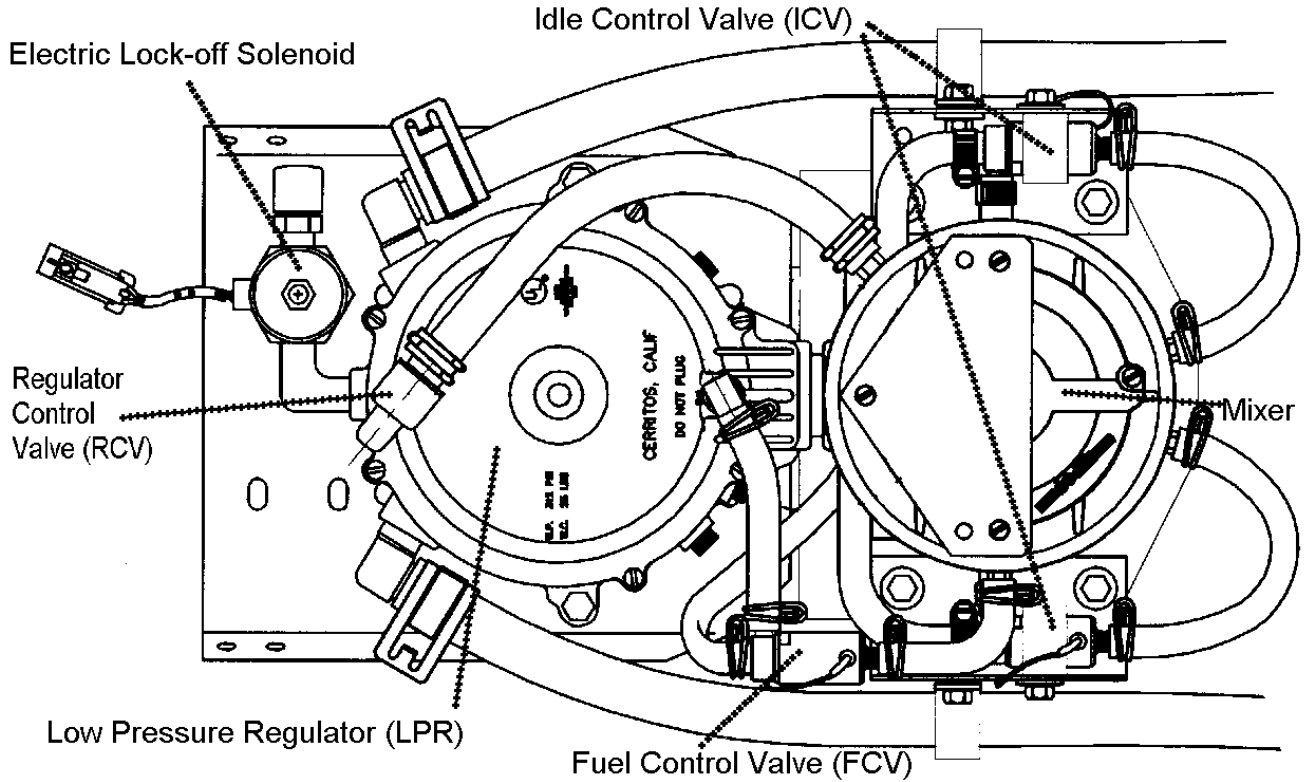
QUANTUM Part No.	Description	Callout No.
AE2-21897	Engine Control Unit (ECU) (1999) NOTE: Parts restriction in place. Contact QUANTUM Technical Assistance at 1-800-816-8691.	1
100140	Engine Control Unit (ECU) (2000) NOTE: Parts restriction in place. Contact QUANTUM Technical Assistance at 1-800-816-8691.	1
B4-20308	Bracket, ECU Adapter	2
B4-21445	Bracket, Front of Dash to Tray (Cab Chassis Only)	3
B4-21446	Bracket, ECU Support Tray (Cab Chassis Only)	4



Miscellaneous (MY99 and MY00 w/ 7.4L V8)

QUANTUM Part No.	Description	Callout No.
AF4-21667	Assy, Orifice .050	-
AW-21536	Wire Harness, AF Engine Harness to Solenoids	-
AW-21652	Wire Harness, OEM PCM to AF Adapter	-
100100	Bracket, ECU (Bus Chassis Only)	-
B4-21529	Bracket, Fuel Line Support	-
F4-43	Fitting, Heater Hose "Y"	-
IM-21632	Owner's Manual Supplement (1999 and 2000)	-
IM-21633	Warranty and Owner's Assistance Information (1999)	-
100215	Warranty and Owner's Assistance Information (2000)	-
100216	Service Manual Supplement (1999 and 2000)	-
L3-21029	Label, LPG Diamond (Black)	-
L3-21631	Label, Evaporative Emissions (1999)	-
L3-21999	Label, Evaporative Emissions (2000)	-
P3-21693	Plug, Fuel Line Supply (Gasoline)	-
P3-21694	Plug, Fuel Line Return (Gasoline)	-
C2-42	Cap, Vacuum, 1/2" (PCV Port @ Intake Plenum)	-

PARTS LIST
1994 - 1998 GM Medium Duty Truck
with 6.0L V8 or 7.0 L V8 and QUANTUM LPG Fuel System



QUANTUM Part No.	Description	Qty Per
A2-20797	Adapter, Air Filter Housing	1
A3-20729	Adapter, Lower GM TBI	1
A3-20735	Adapter, Upper GM to 425 Mixer	1
A4-20852	Adapter, Filter Mounting	1
AH1-20838-002	LPG Hose Assy, Underbody to Underhood LPL	1
AV1-20851	3-way Solenoid (ICV / FCV)	3
AV1-20875	Air / Gas Valve Assy.	1
AV2-20134-006	Low Pressure Lock-off (LPL) (Underbody or Underhood)	2
AW-20870	Wiring Harness	1

QUANTUM Part No.	Description	Qty Per
B4-20738	Bracket, Regulator Mounting	1
B4-20744	Bracket, Air Filter Adapter	1
B4-20839	Bracket, Underbody Lock-off	1
B4-20842	Bracket, 3-way Solenoid Mounting	1
B4-21114	Bracket, ADP Mounting (Long Version)	1
B4-21115	Bracket, ADP Mounting (Short Version)	1
DSM-20841-01	PROM, 94-98 GM MD LPG	1
F1-20804-001	Filter, LPG- 3/8" SAE to 1/4" NPT	1
G1-20730	Gasket, TBI Adapter	1
G1-66	Gasket, 425 Mixer Air Horn	1
G1-74	Gasket, 425 Mixer Base	1
IM-20799	94-97 Owner's Manual Supplement	1
IM-20800	94-97 Service and Installation Manual	1
IM-21287	98 Service and Installation Manual	1
IM-21288	98 Owner's Manual Supplement	1
L3-19399	Label, LPG Blue Diamond (Texas Only)	1
L3-20797	Label, Vacuum Routing	1
L3-21029	Label, LPG Black Diamond	1
LPR-20742-001	Converter / Regulator LPG w/o fittings	1
MD-20803	Mixer Assy. Model 425	1
MD-20840-01	ADP, 94-97 7.0 w/ manual trans.	1
MD-20840-02	ADP, 94-97 7.0 w/ auto trans.	1
MD-20840-03	ADP, 94-97 6.0 w/ manual trans.	1
MD-20840-04	ADP, 94-97 6.0 w/ auto trans.	1
MD-21815-05	ADP, 98 7.0 w/ manual trans.	1
MD-21815-06	ADP, 98 7.0 w/ auto trans.	1
MD-21815-07	ADP, 98 6.0 w/ manual trans.	1
MD-21815-08	ADP, 98 6.0 w/ auto trans.	1
P3-32-001	Expansion Plug, Tamper Proof	1
RCV-15791-08	Regulator Control Valve	1

QUANTUM Part No.	Description	Qty Per
RK-E-3	Rebuild Kit, Model E Converter/Regulator	1
S3-19219	Spacer, Lock-off Bracket	1
S3-21117-001	O-ring, Square Cut	1
S3-21195	Spacer, Front Adapter	1
S8-20858-001	Sensor, Heated Exhaust Gas Oxygen (HEGO), 3-wire	1

Low Pressure Regulator (LPR) Rebuild

To rebuild any of the following regulators, order QUANTUM Part# **RK-E-3** (Repair Kit w/ Fluoro-Silicone Diaphragm).

Model Year	LPR Part No.	Primary Pressure (Service Range)	Primary Spring	Secondary Pressure (Service Range)	Secondary Spring
1994-1998	LPR-20742-001	1 to 2 psi	Zinc (S2-13)	-0.5" H ₂ O to -1.0" H ₂ O	Orange (S2-23)
1999	EB-21590	1 to 2 psi	Zinc (S2-13)	-1.9" H ₂ O to -2.1" H ₂ O	Black (S2-21792)
2000	100127	2 to 3 psi	Brown (S2-42)	-1.8" H ₂ O to -2.0" H ₂ O	Black (S2-21792)
2001	100708	4 to 5 psi	Yellow (S2-20393)	-1.35" H ₂ O to -1.55" H ₂ O	Black (S2-21792)
2002	100708	4 to 5 psi	Yellow (S2-20393)	-1.35" H ₂ O to -1.55" H ₂ O	Black (S2-21792)

Important!

- Rebuild should only be performed on regulators that are no longer under warranty.
- **ALWAYS** use the correct color of spring specified for the application. Using a different spring may affect driveability and emissions.
- For all model years, check secondary lever height using the G2-2 gauge.
- For a leaking LPR vaporizer (coolant chamber) only, order severe duty LPR coolant gasket (PN 104404).