

**TECHNICAL SERVICE BULLETIN**

**Bulletin No.:** CYL-TSB-008

**Date:** February 24, 2015

**Subject:** Frame Mount End Caps

**Models:** Frame Mount Fuel Storage Modules

**Background**

The end caps provide support for the steps and covers for frame mounted fuel storage modules.

**Condition**

In some cases, the operational environment for the frame mounted FSMs may cause the end caps to develop cracks. End caps built before mid-July 2014 are equipped with a gusset welded to the inside of the end cap.

**Cause**

The operational environment for the frame mounted FSMs will exert various loads on the module end caps. These induced loads over time may cause cracks to form in the end caps.

**Correction**

Remove the upper cover and inspect the condition of the end caps using the references in the illustrations to the right. Check for any cracks in the end caps.

If cracks have been observed, remove and replace the end caps. Remove and discard original hardware as described in the Instruction Sheet included in the kit. Replace with new hardware supplied in the End Cap Kit. Torque to specification.

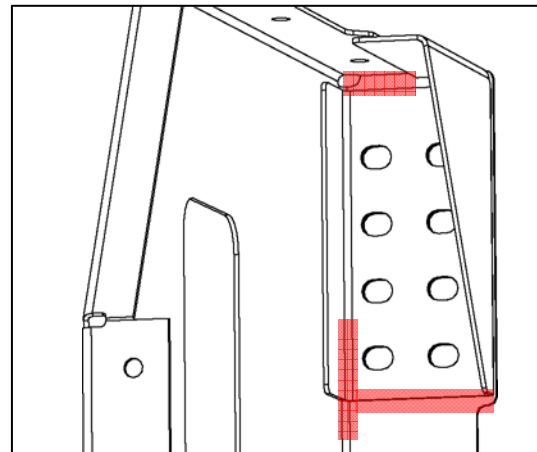
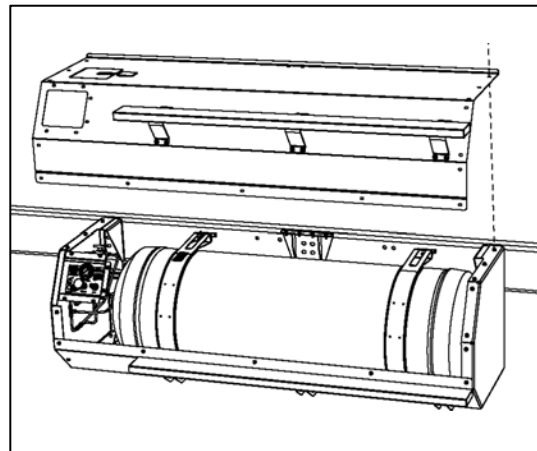
If the original fill panel was equipped with a Parker Filter, the system will need to be updated to the Omnitek Filter included in this kit.

If cracks have been found in the end caps, complete and send the Order Form for the Frame Mount End Cap Kit (included in this document) to Quantum Technologies to receive your replacement end cap kit free of charge.

**Labor Time**

Approximately 2.5 Hours

- Add 0.7 Hours Parts Transfer
- Add S/T Cover Fastener Removal



## TECHNICAL SERVICE BULLETIN

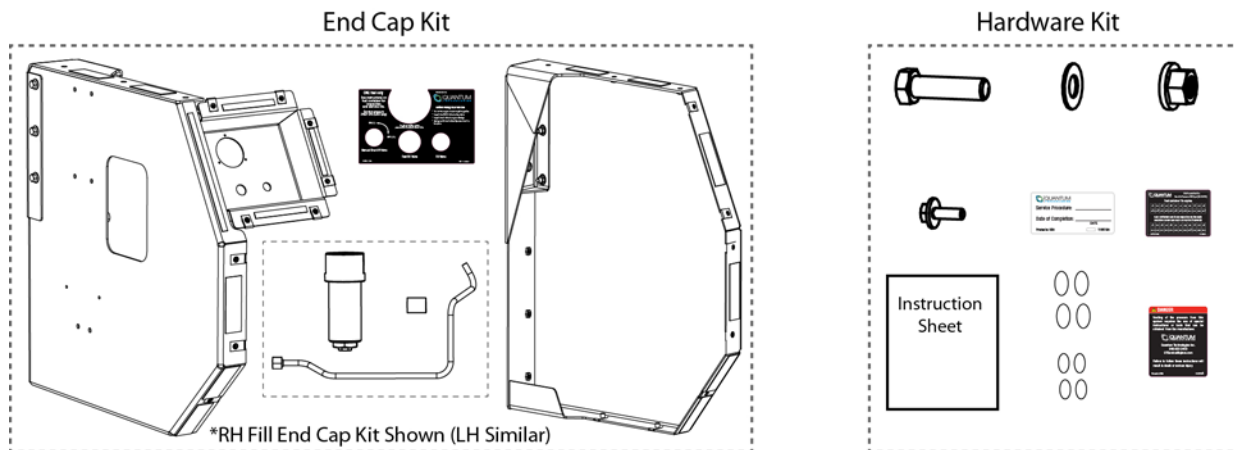
**Parts Information**

Each shipment will include one (1) hardware kit and one (1) end cap kit:

| Hardware Kit 116644                |     |              |
|------------------------------------|-----|--------------|
| Description                        | Qty | Quantum PN   |
| Bolt w/ Conical Washer 5/16-18     | 49  | 116668       |
| Bolt Hex Head 5/8-11               | 8   | 115553-175   |
| Washer SAE 5/8                     | 8   | 114325-001   |
| Nut, Crimp Lock 5/8-11             | 8   | 116421-008   |
| CNG Cylinder Inspection Info Label | 1   | 114004       |
| System Venting Label               | 1   | 114270       |
| Service Identification Label       | 1   | 116619       |
| End Cap Kit Instruction Sheet      | 1   | 116643       |
| O-Ring 9/16 -6 SAE                 | 4   | S3-20503-011 |
| O-Ring 3/8 ORFS                    | 4   | S3-20503-008 |

| End Cap Kit  |                          |
|--|--------------------------|
| (Slave End Cap Kits include 2 End Caps)<br>(Fill End Cap Kits also include 1 Fill Panel Label) |                          |
| Description  | Quantum PNs              |
| Left Hand Fill End Cap Kit   | 116218 / 116217 / 114930 |
| Left Hand Slave End Cap Kit  | 116223 / 116217          |
| Right Hand Fill End Cap Kit  | 116111 / 116112 / 114264 |
| Right Hand Slave End Cap Kit   | 116221 / 116112          |

| Filter Kit Option        |             |
|--------------------------|-------------|
| Description              | Quantum PNs |
| Omnitek Filter           | 114505      |
| Fuel Line                | 116287      |
| Isolator (For Fuel Line) | C2-20750    |


**Contact Information:**

E-Mail: [QTService@qtw.com](mailto:QTService@qtw.com)

Phone: 800.816.8691

Fax: 949.930.3401

**TECHNICAL SERVICE BULLETIN**

 One Sheet  
 Per Vehicle

 Order Form - End Cap Kit  
 Fax to 949.930.3401  
 Email to [QTService@qtw.com](mailto:QTService@qtw.com)

CYL-TSB-008

The following information must be complete and legible:

1) Name:

2) Order Date:

3) Contact Phone:

4) Email (If applicable):

5) Complete VIN:

6) FSM Serial Number:

7) Vehicle Mileage:

8) Vehicle Year:

9) Vehicle Make &amp; Model:

10) Coalescing Fuel Filter Type Currently Equipped With The Fuel Storage Module:

(Circle One)    Parker (Black)            Omnitek (Silver)            No Filter

**Internal Use Only**

 114505  
 C2-20750  
 116287 LH / 116286 RH

11) Shipping Address\*:

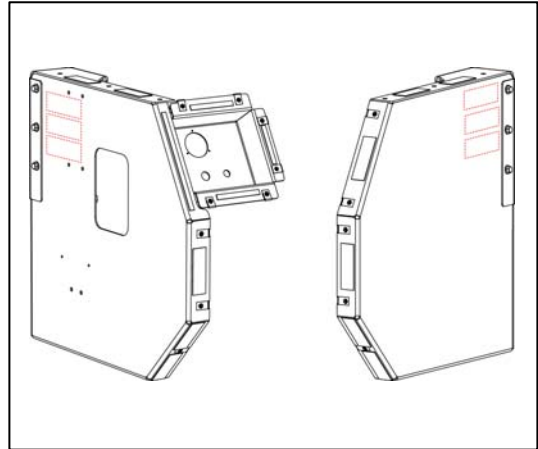
Please indicate the parts needed for this vehicle. Place an "X" in the box for the parts required.

| Check | Quantity | Description                  |
|-------|----------|------------------------------|
| X     | 1        | Hardware Kit                 |
|       |          | Left Hand Fill End Cap Kit   |
|       |          | Left Hand Slave End Cap Kit  |
|       |          | Right Hand Fill End Cap Kit  |
|       |          | Right Hand Slave End Cap Kit |

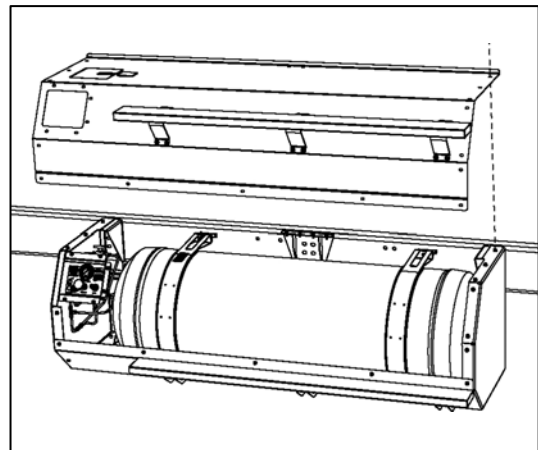
\* Parts will be shipped UPS Ground. If expedited shipping is required, please provide the shipping number and preferred carrier.

**TECHNICAL SERVICE BULLETIN****Inspection Procedure**

1. Check for the Service ID Label located on the front or rear end caps to verify if the procedure has been previously performed on this fuel storage module. If the service has been previously performed, then this bulletin does not apply.



2. Follow Quantum's CNG Cylinder Installation and Maintenance Manual for fuel system safety procedures and guidelines. The manual is available at [www.gtw.com](http://www.gtw.com).
3. Remove and retain the hardware for the upper cover assembly.
4. Remove and retain the upper cover assembly.



5. Inspect the end caps for cracks. See the illustration to the right for key areas to inspect.
6. If cracks are discovered during the inspection, then complete and send the Order Form - End Cap Kit included in this document.
7. If the vehicle is to be returned back into service, install the upper cover assembly and torque the bolts to the specifications outlined in the CNG Frame Mount FSM - Installation and Maintenance Manual available at [www.gtw.com](http://www.gtw.com).
8. Document inspection performed.

